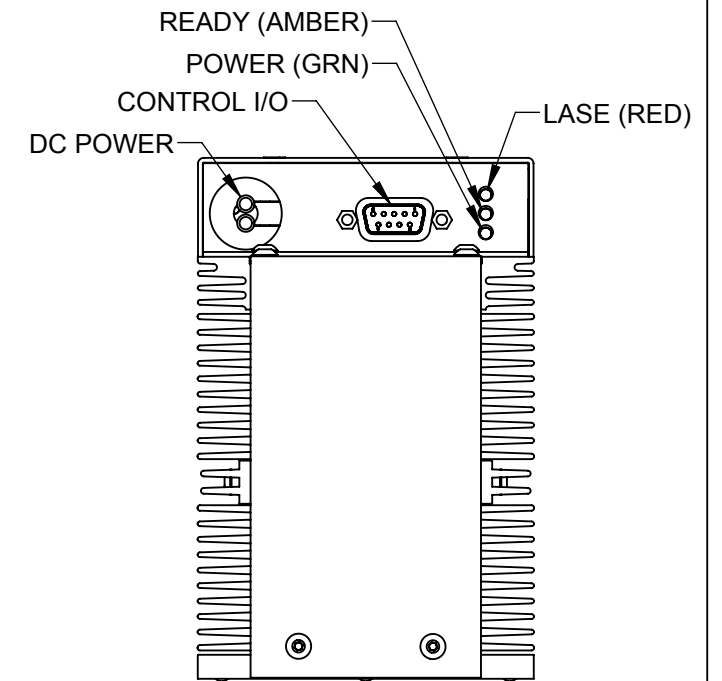
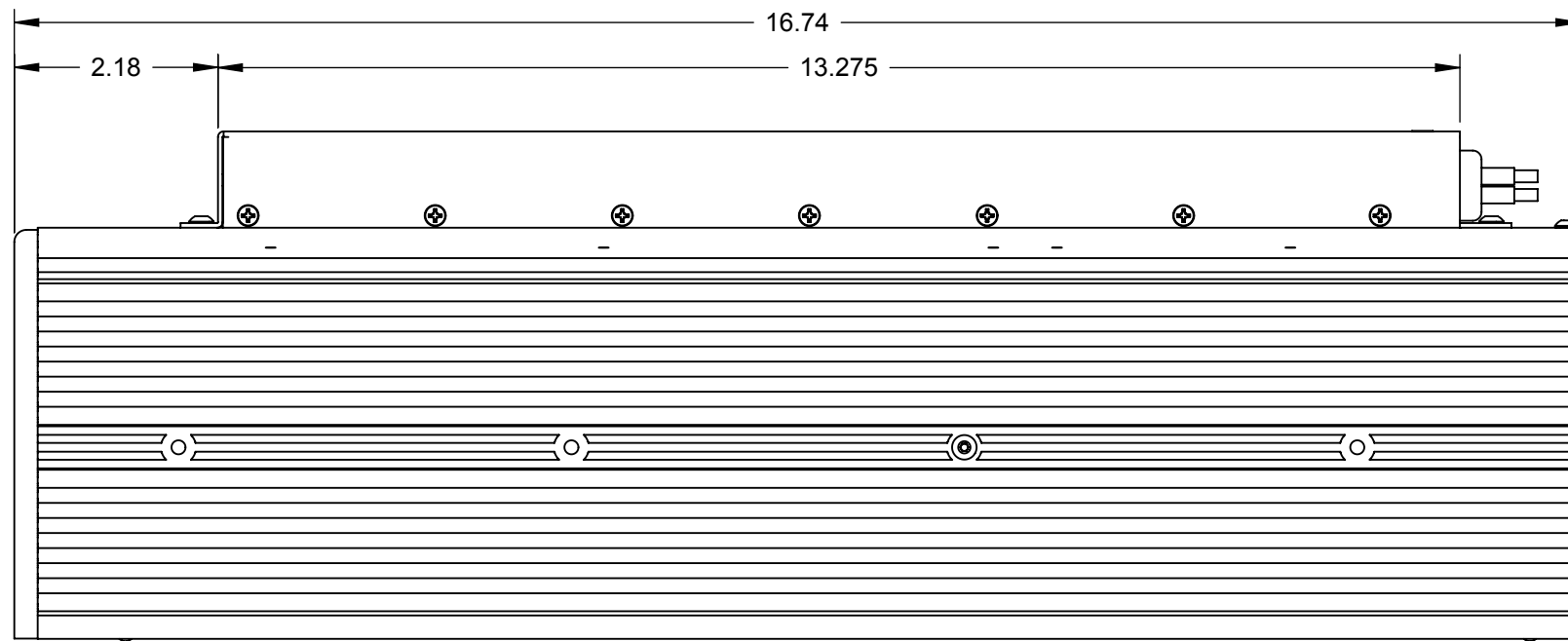
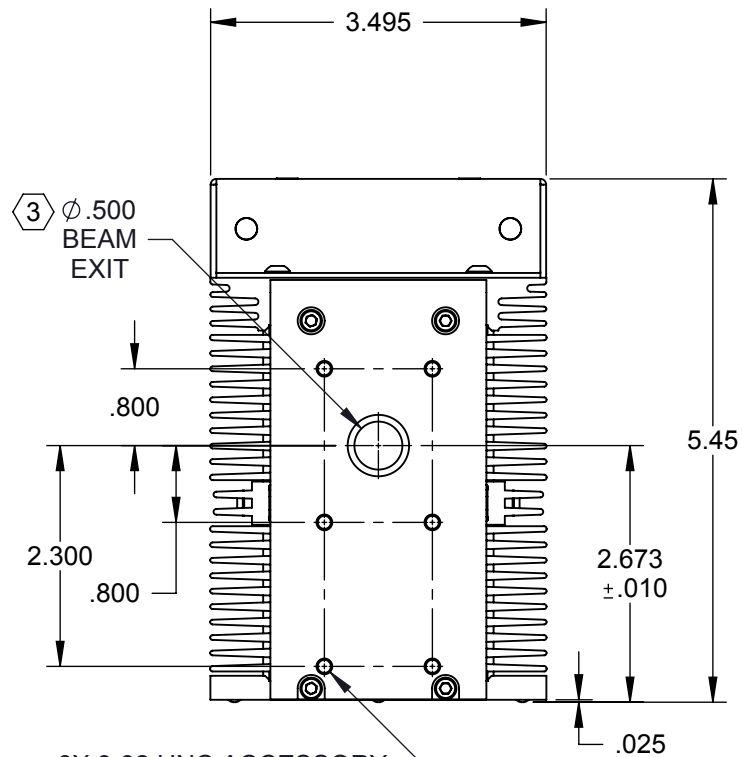
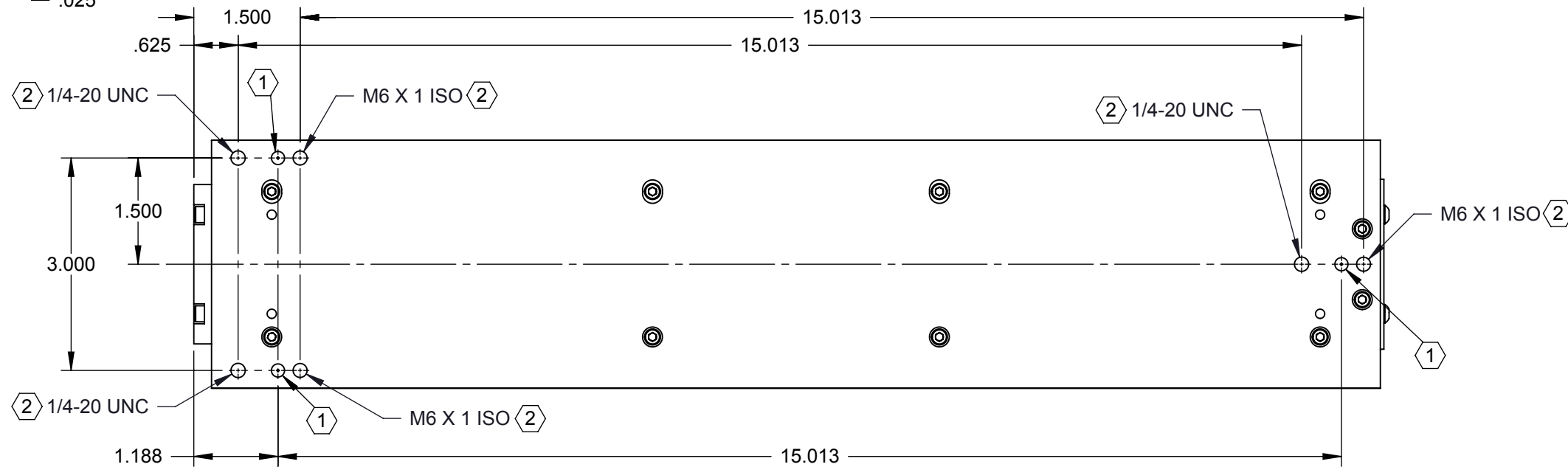


REV	ECO	DATE	DESCRIPTION	DB
A	4325	26-Apr-11	RELEASE TO PRODUCTION	DMD
.	.	.	.	.
.	.	.	.	.



6X 8-32 UNC ACCESSORY MOUNTING HOLES. SCREWS SHOULD NOT EXTEND MORE THAN .19 INTO FACE PLATE



NOTES:

- (1) HARDENED BALL MOUNTING POINT, 3X (Ø.1875 BALL BEARING).
- (2) THIS MOUNTING HOLE PATTERN USED FOR BOTTOM ACCESS FASTENING.
- (3) BEAM PATH MAY NOT BE CENTERED OR PERPENDICULAR TO FACE PLATE APERTURE.

TOLERANCES UNLESS NOTED:	
.x = ± .1	ANGLE = ± .5 °
.xx = ± .01	
.xxx = ± .005	
MATERIAL:	
.	
.	
FINISH:	
.	
.	
.	

PROPRIETARY THIS DRAWING IS PROPRIETARY TO SYNRAD INC. AND SHALL NOT BE USED OR DISCLOSED IN WHOLE OR IN PART WITHOUT WRITTEN PERMISSION OF SYNRAD INC.	
DESCRIPTION: <b>OUTLINE &amp; MOUNTING, Vi30, AIR-COOLED, OEM</b>	
PART NUMBER: 300-20111-01	DWG/FILE NUMBER: 300-20111-01
SHEET 1 of 1	ENG: .
UNITS: Inches	CATEGORY: .
SIZE: B	FINISH CLASS: .

<b>SYNRAD</b>	SYNRAD INC. 4600 Campus Place Mukilteo, WA 98275 Phone: (425)349-3500 Fax: (425)349-3667		
	DRAWN BY: D. DUVAL	DATE: 5-Oct-10	CHECKED BY:
APPROVED BY:	DATE:		