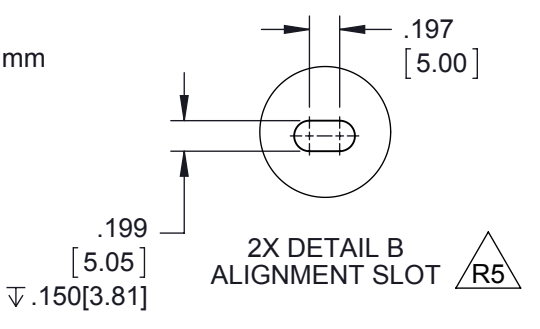
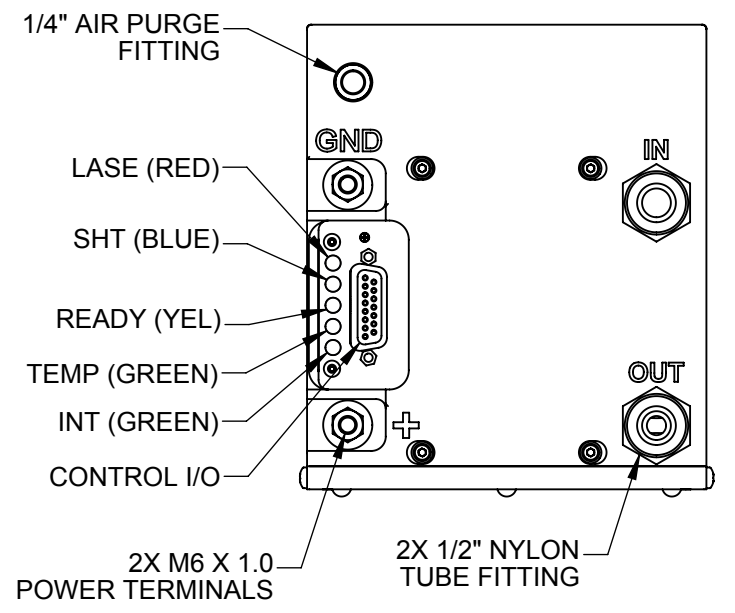
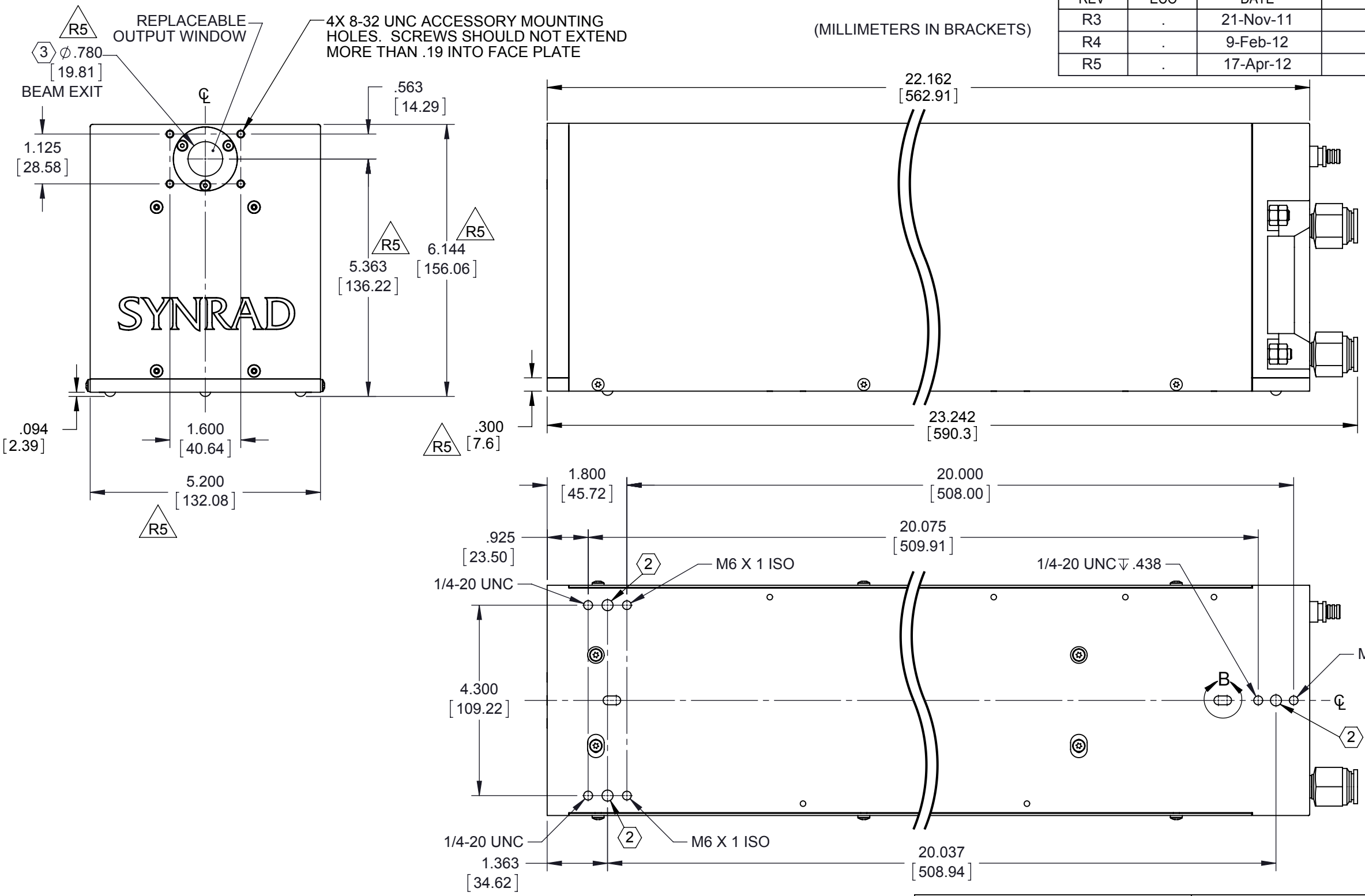


REV	ECO	DATE	DESCRIPTION	DB
R3	.	21-Nov-11	UPDATE NOTES	DMD
R4	.	9-Feb-12	ADD NOTE AND SCREW DEPTH	DMD
R5	.	17-Apr-12	UPDATE TO SHOW CHANGES TO ASSEMBLY	DMD



- NOTES:
- FOR FULL DETAIL, SEE THE USER GUIDE/MANUAL SUPPLIED WITH THE UNIT.
 - HARDENED BALL MOUNTING POINT, 3X (Ø .250 BALL BEARING).
 - BEAM PATH MAY NOT BE CENTERED OR PERPENDICULAR TO FACE PLATE APERTURE.

TOLERANCES UNLESS NOTED:	
.x = ± .1	ANGLE = ± .5 °
.xx = ± .01	
.xxx = ± .005	
MATERIAL:	
FINISH:	

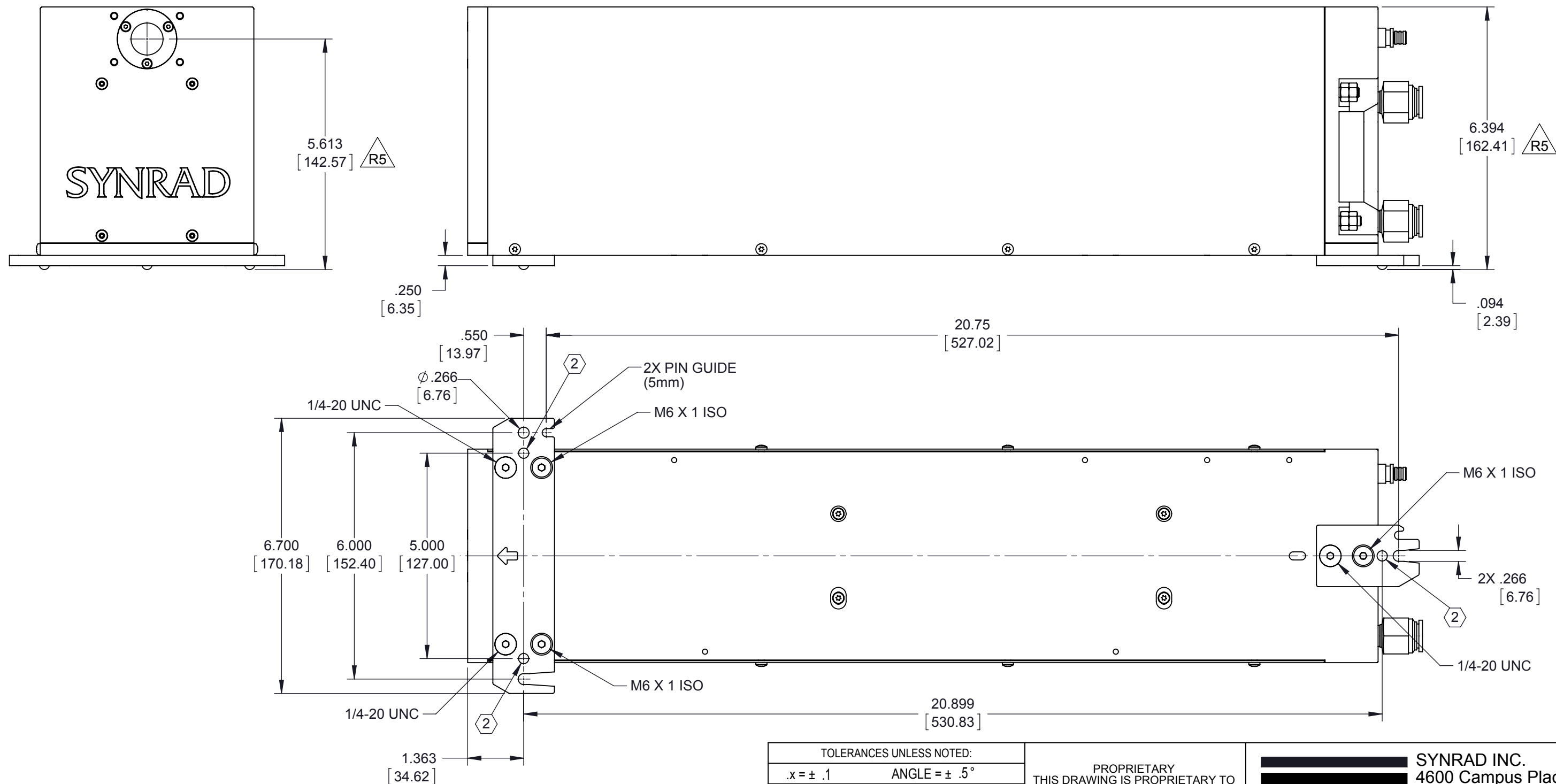
PROPRIETARY
THIS DRAWING IS PROPRIETARY TO
SYNRAD INC. AND SHALL NOT BE
USED OR DISCLOSED IN WHOLE
OR IN PART WITHOUT WRITTEN
PERMISSION OF SYNRAD INC.




SYNRAD INC.
4600 Campus Place
Mukilteo, WA 98275
Phone: (425)349-3500
Fax: (425)349-3667

DESCRIPTION: OUTLINE & MOUNTING, P100			
PART NUMBER:	300-20365-01	DWG/FILE NUMBER:	300-20365-01
SHEET 1 of 2	ENG: RS	DRAWN BY: D. DUVAL	DATE: 12-Jul-11
UNITS: Inches	CATEGORY: .	CHECKED BY:	DATE:
SIZE: B	FINISH CLASS: .	APPROVED BY:	DATE:

REV	ECO	DATE	DESCRIPTION	DB
R3	.	21-Nov-11	UPDATE NOTES	DMD
R4	.	9-Feb-12	ADD NOTE AND SCREW DEPTH	DMD
R5	.	17-Apr-12	UPDATE TO SHOW CHANGES TO ASSEMBLY	DMD



WITH OPTIONAL MOUNTING FEET ATTACHED

TOLERANCES UNLESS NOTED:		PROPRIETARY THIS DRAWING IS PROPRIETARY TO SYNRAD INC. AND SHALL NOT BE USED OR DISCLOSED IN WHOLE OR IN PART WITHOUT WRITTEN PERMISSION OF SYNRAD INC.		 SYNRAD INC. 4600 Campus Place Mukilteo, WA 98275 Phone: (425)349-3500 Fax: (425)349-3667	
.x = ± .1	ANGLE = ± .5°				
.xx = ± .01					
.xxx = ± .005		DESCRIPTION: OUTLINE & MOUNTING, P100			
MATERIAL:		PART NUMBER: 300-20365-01		DWG/FILE NUMBER: 300-20365-01	
FINISH:		SHEET 2 of 2 ENG: RS		DRAWN BY: D. DUJALL DATE: 12-Jul-11	
		UNITS: Inches CATEGORY: .		CHECKED BY: DATE:	
		SIZE: B FINISH CLASS: .		APPROVED BY: DATE:	