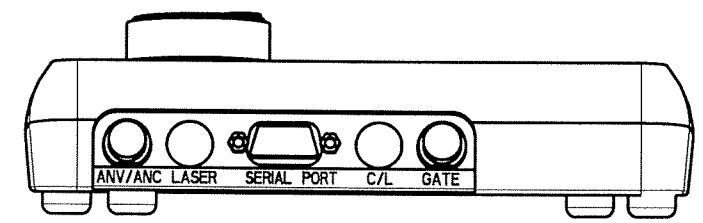
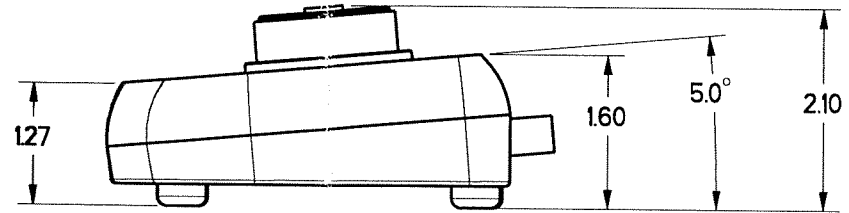
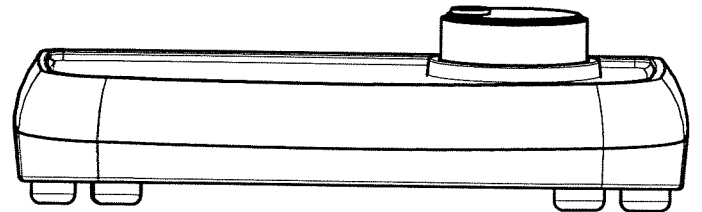
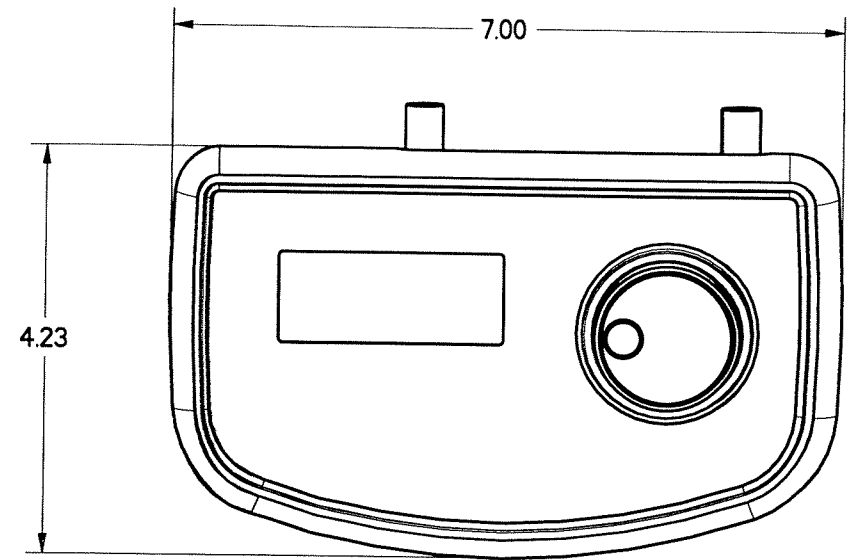



REV	ECO	DATE	DESCRIPTION	DB
A	1507	29-Sep-99	RELEASED TO PRODUCTION	DH



Pro/E

TOLERANCES UNLESS NOTED: .x = ±0.1 ANGLE = ±2.0° .xx = ±0.01 .xxx = ±0.005 MATERIAL: . . FINISH: . . .		PROPRIETARY THIS DRAWING IS PROPRIETARY TO SYNRAD INC. AND SHALL NOT BE USED OR DISCLOSED IN WHOLE OR IN PART WITHOUT WRITTEN PERMISSION OF SYNRAD INC.		 SYNRAD INC. 6500 Harbour Heights Pkwy Mukilteo, WA 98275 Phone: (425)349-3500 Fax: (425)485-4882	
		DESCRIPTION: OUTLINE AND MOUNTING, UC-2000			
		PART NUMBER: 95-018128-01		DWG/FILE NUMBER: 300-18128-01	
		SHEET 1 OF 1	DB: .	DRAWN BY: D. Hagan	DATE: 29-Sep-99
		UNITS: INCHES	CATEGORY: I	CHECKED BY: <i>[Signature]</i>	DATE: 30 Sept 99
		SIZE: B	FINISH CLASS: A	APPROVED BY: <i>[Signature]</i>	DATE: 9/30/99