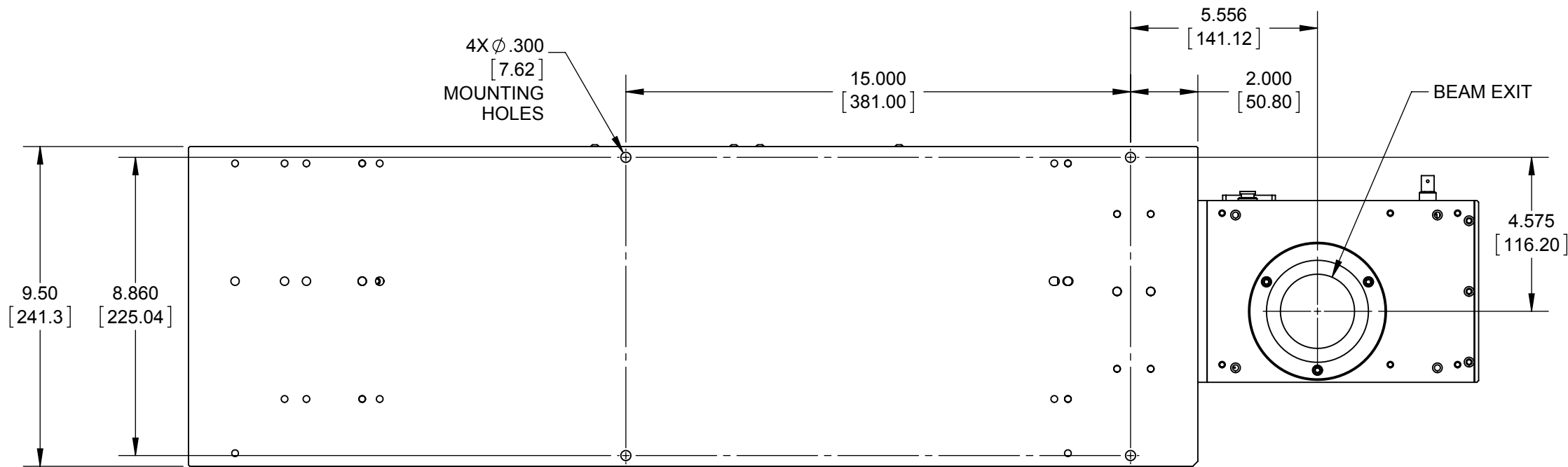
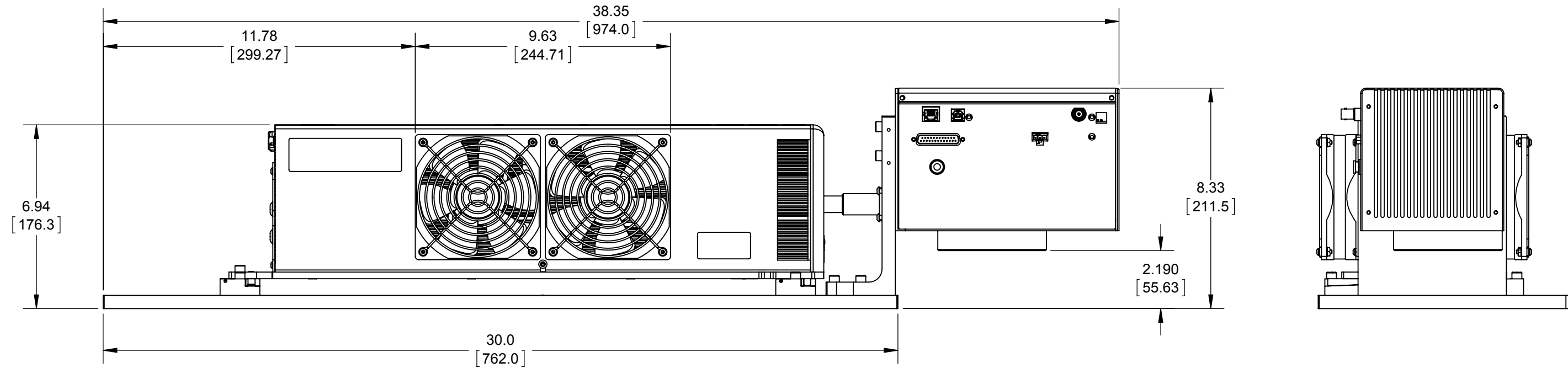


| REV | DA | ECN | ECO | DATE     | DESCRIPTION    | DB  |
|-----|----|-----|-----|----------|----------------|-----|
| R1  | .  | .   | .   | 9-Jan-17 | INITIAL DESIGN | DMD |
| .   | .  | .   | .   | .        | .              | .   |
| .   | .  | .   | .   | .        | .              | .   |



**NOTES:**

- DIMENSIONS SHOWN APPLY TO THE T-SERIES & Ti-SERIES LASERS, BOTH AIR AND WATER COOLED. Ti100 FAN VERSION SHOWN.
- DIMENSIONS IN BRACKETS [ ] ARE MILLIMETERS.

|                                 |              |  |  |   |   |
|---------------------------------|--------------|--|--|---|---|
| <b>TOLERANCES UNLESS NOTED:</b> |              | PROPRIETARY: THIS DRAWING IS PROPRIETARY TO SYNRAD AND SHALL NOT BE USED OR DISCLOSED IN WHOLE OR IN PART WITHOUT WRITTEN PERMISSION OF SYNRAD |  |   | SYNRAD<br>4600 Campus Place<br>Mukilteo, WA 98275<br>Phone: (425)349-3500<br>Fax: (425)349-3667<br>Synrad, a Novanta Company. |
| .X = ± .                        | ANGLE = ± .° | THIRD ANGLE PROJECTION   |  |   |   |
| .XX = ± .                       |              |  |  | DESCRIPTION:<br><b>OUTLINE &amp; MOUNTING, FLYER, Ti100 FAN</b> |   |
| .XXX = ± .                      |              |  |  |   |   |
| MATERIAL:                       |              | DRAWN BY: D. DUVAL   |  | DATE: 9-Jan-17  | DWG/FILE NUMBER: 300-19676-60 Ti100 FAN   |
| FINISH:                         |              | QTY CHK BY:  |  | DATE:   | PART NUMBER: 300-19676-60 Ti100 FAN   |
|                                 |              | ENG CHK BY:  |  | DATE:   | ENG: . SIZE: B CATEGORY: .  |
|                                 |              | APPROVED BY:   |  | DATE:   | UNITS: Inches SHEET 1 of 1 FINISH CLASS: .  |
|                                 |              |  |  |   | REV.<br>R1  |