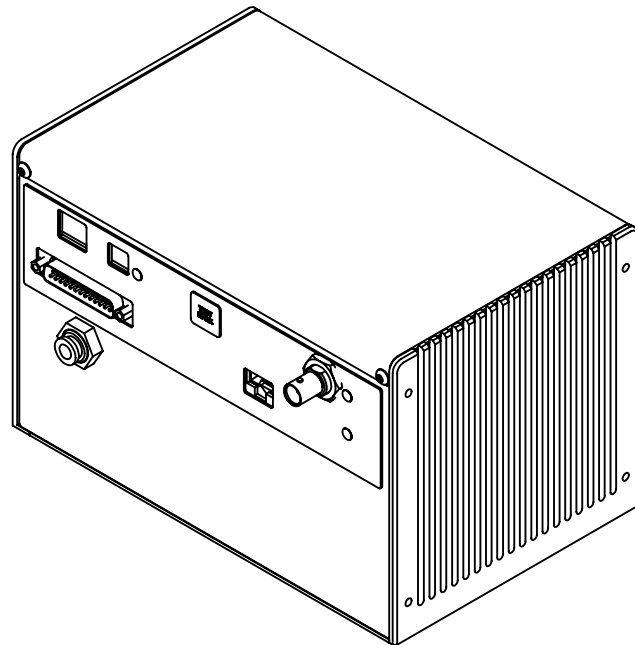
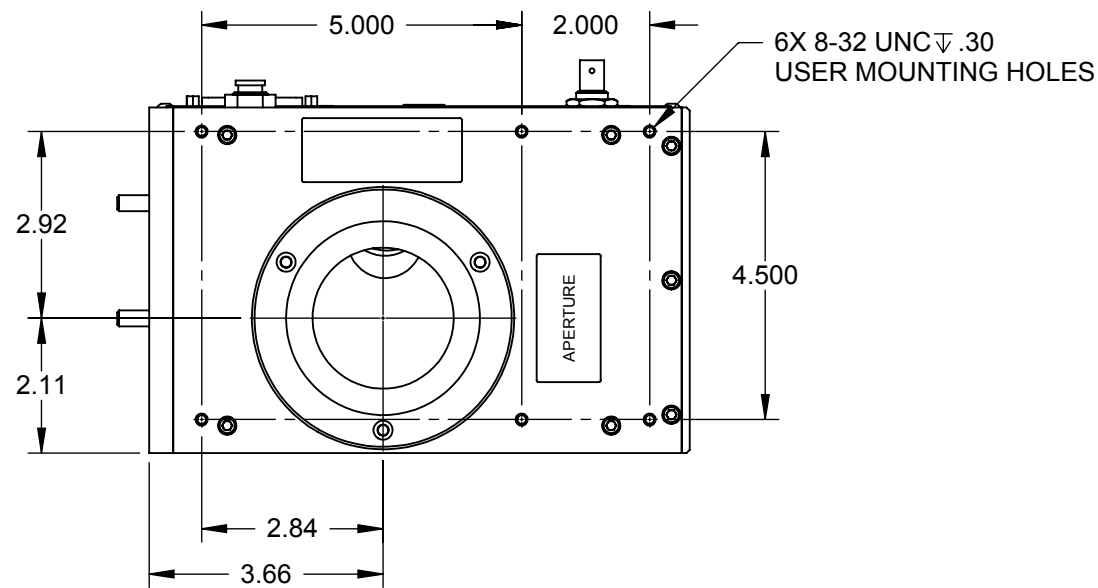
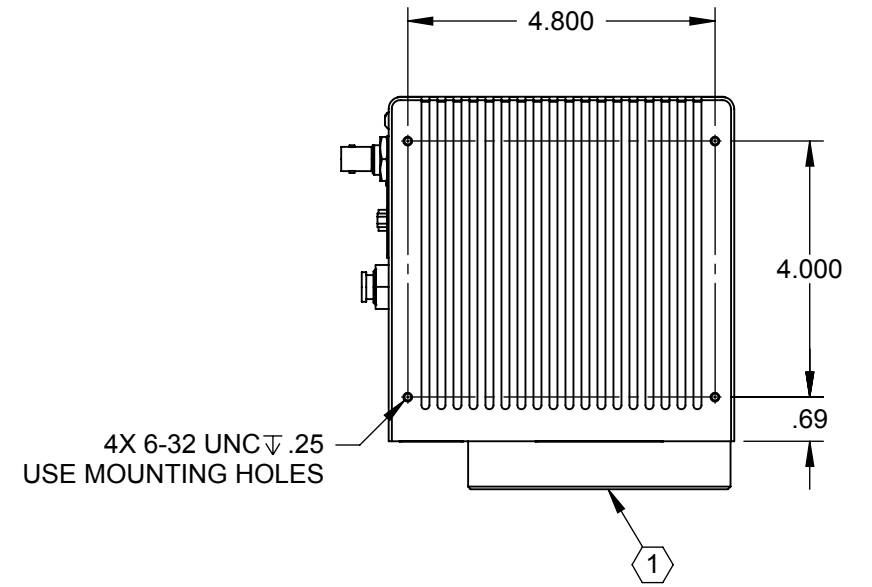
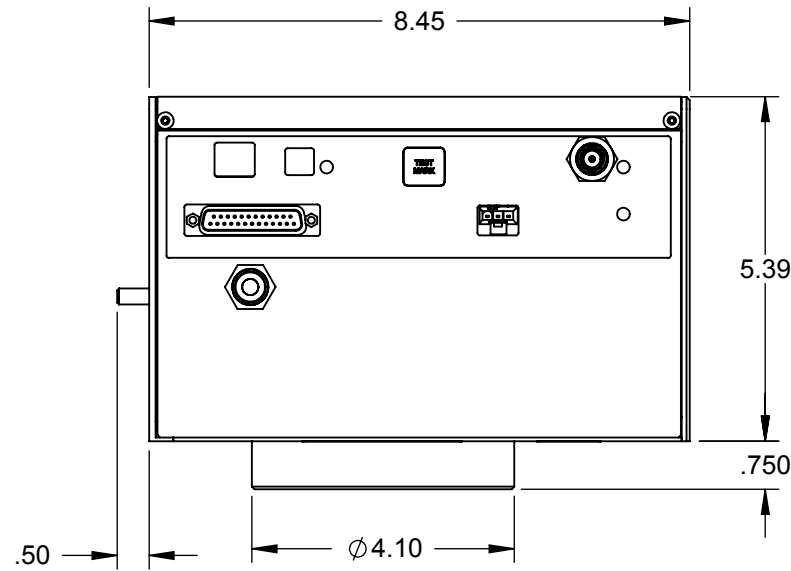
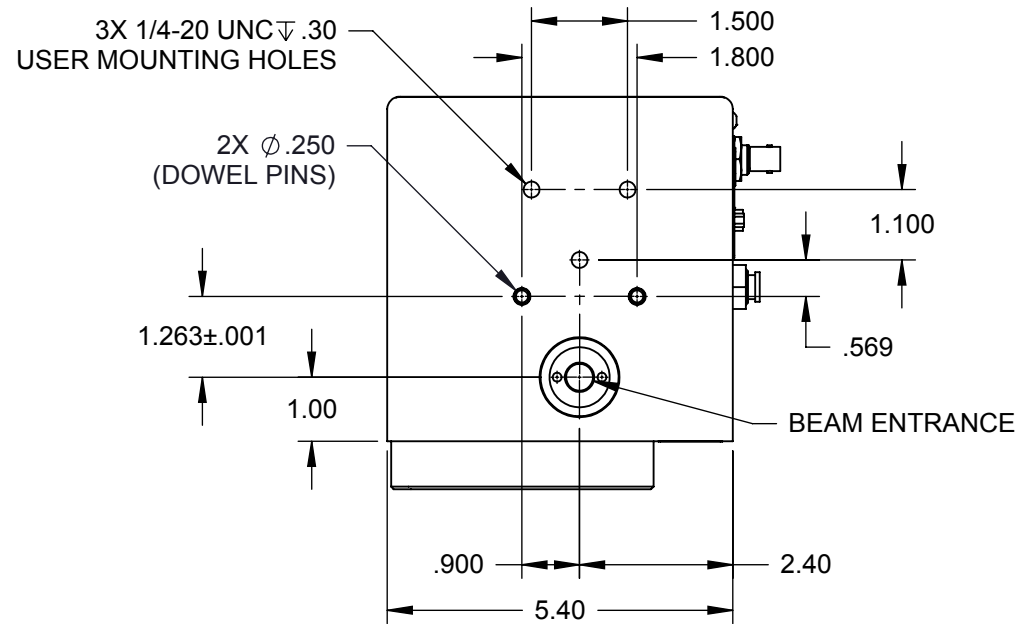


NOTES:

1 BOTTOM OF FOCUSING RING IS REFERENCE POINT FOR MEASURING WORKING DISTANCE.

REV	ECO	DATE	DESCRIPTION	DB
A	3575	13-Nov-07	RELEASE TO PRODUCTION	DMD
B	4207	23-Apr-10	ADD NOTE 1	DMD
.



FLYER PART NUMBER	DESCRIPTION
FHFL25-U	2.5X EXPANDER
FHFL30-U	3X EXPANDER
FHFL50-U	5X EXPANDER

PROPRIETARY
THIS DRAWING IS PROPRIETARY TO
SYNRAD INC. AND SHALL NOT BE
USED OR DISCLOSED IN WHOLE
OR IN PART WITHOUT WRITTEN
PERMISSION OF SYNRAD INC.



SYNRAD INC.
4600 Campus Place
Mukilteo, WA 98275
Phone: (425)349-3500
Fax: (425)349-3667

DESCRIPTION: OUTLINE & MOUNTING, FLYER MARKING HEAD			
PART NUMBER:	SEE TABLE	DWG/FILE NUMBER:	300-19313-00
SHEET 1 of 1	ENG: .	DRAWN BY: RLS	DATE: 01-08-07
UNITS: Inches	CATEGORY: .	CHECKED BY:	DATE:
SIZE: B	FINISH CLASS: .	APPROVED BY:	DATE: